

Configuring your 300x Printer

Neuralog 300x/NeuraLabel 300x

Contents

STEP 1. CHECK THE SYSTEM REQUIREMENTS	1
STEP 2. CHECK THE DRIVER SETUP	1
STEP 3. FOR WINDOWS 7 AND BELOW, CHECK THE SPOOLER PROCESS	2
STEP 4. CHECK THE CONNECTIVITY	3
STEP 5. SET UP A PRINTER SERVER WITH SHARED PRINTER.....	3

✓ STEP 1. CHECK THE SYSTEM REQUIREMENTS

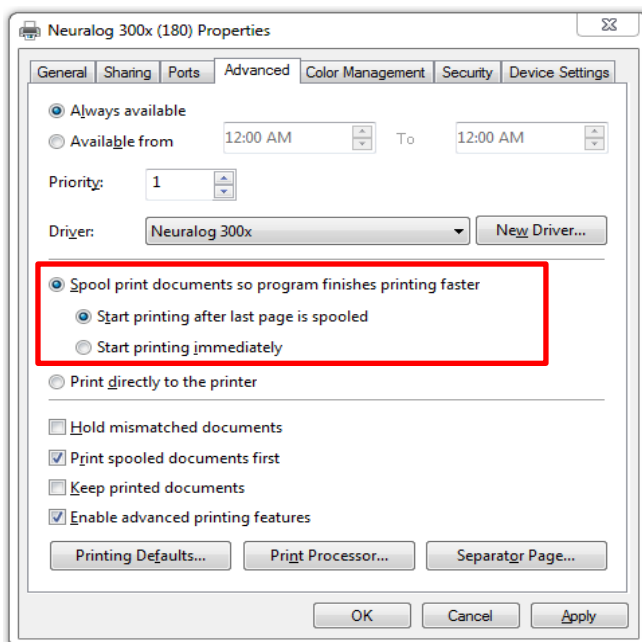
Use the following minimum configuration for optimal printing. Lesser configurations may work without trouble, but cannot be guaranteed.

- OS: Windows 7, Windows 8, Windows 8.1, 32 and 64-bit
- 3 GHz 32-bit (x86) or 64-bit (x64) processor or faster
- 8 GB RAM
- 4 GB available HD space, solid state recommended

✓ STEP 2. CHECK THE DRIVER SETUP

Once the driver is installed, check the following driver installation setting.

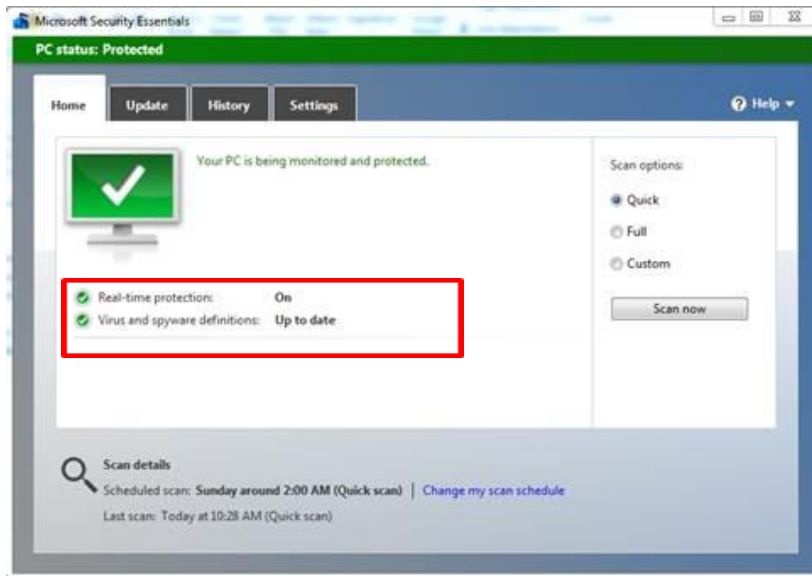
- Go to printer in Control Panel and Right Click *Printer Properties*
- Advanced Tab
- Select **Start printing after last page is spooled**



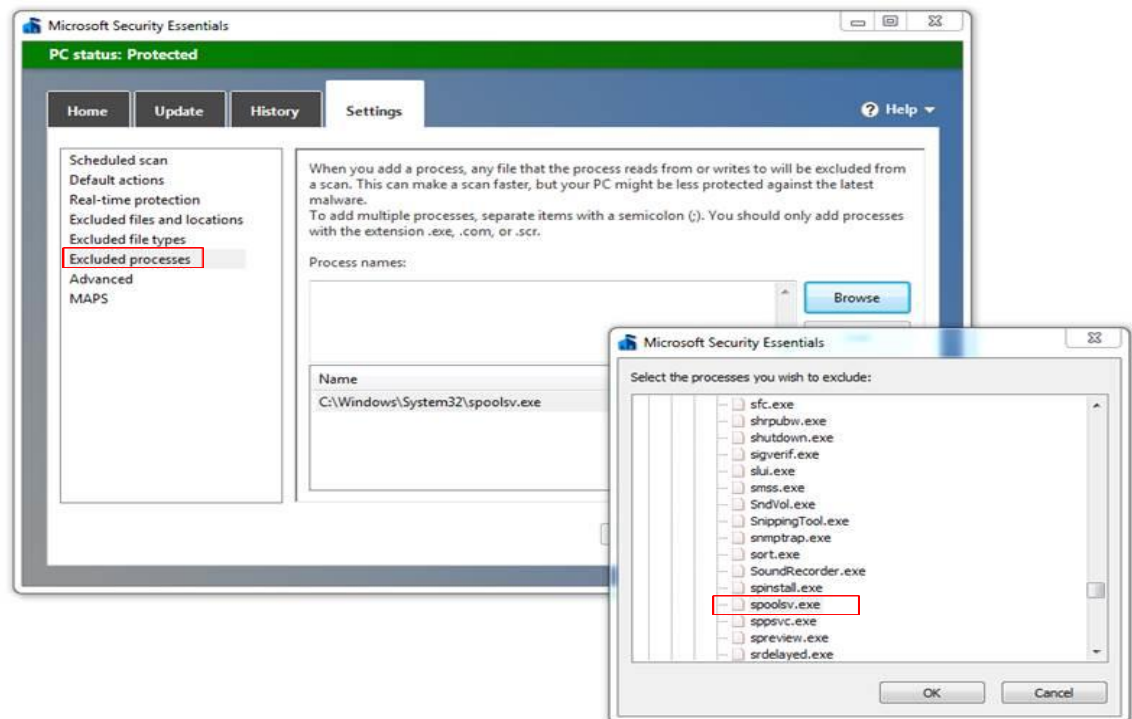
✓ STEP 3. FOR WINDOWS 7 AND BELOW, CHECK THE SPOOLER PROCESS

If Microsoft Security Essentials is running AND real time protection is ON, exclude the spooler process. This will ensure that Microsoft Security Essentials does not slow down or prevent printing.

- File->Search “Microsoft security”
- See that Real-time protection is **On**. If On continue...



- Select the **Settings** tab.
- Select **Excluded processes**
- Browse for the file **C:\Windows\System32\spoolsv.exe**
- Click **OK** and then Click **Add**
- Click **Save Changes** and close Microsoft Security Essentials.

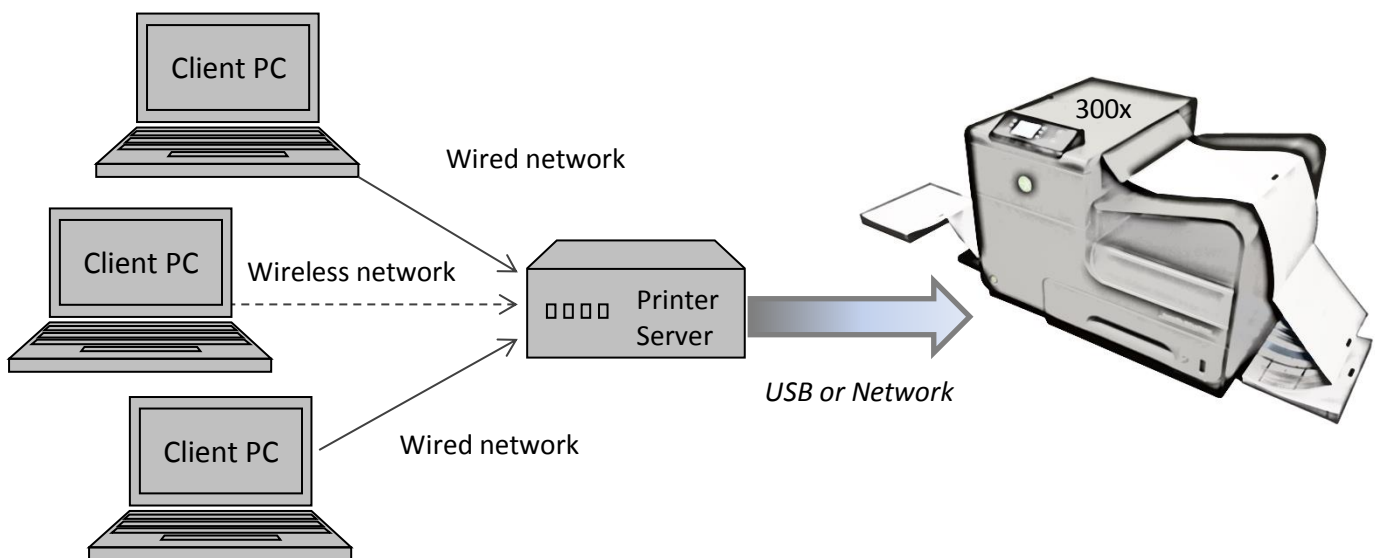


✓ STEP 4. CHECK THE CONNECTIVITY

- Do not use a Wireless Network, UNLESS you use a SHARED PRINTER (discussed below).
- Verify the Network link speed between client/print server and printer is 100 Mbps, full-duplex operation. Most modern networks will meet this requirement. Check with the system administrator.
- Check firewalls, virus checkers, etc.
- USB – Cable no longer than 5m (16.4 ft)

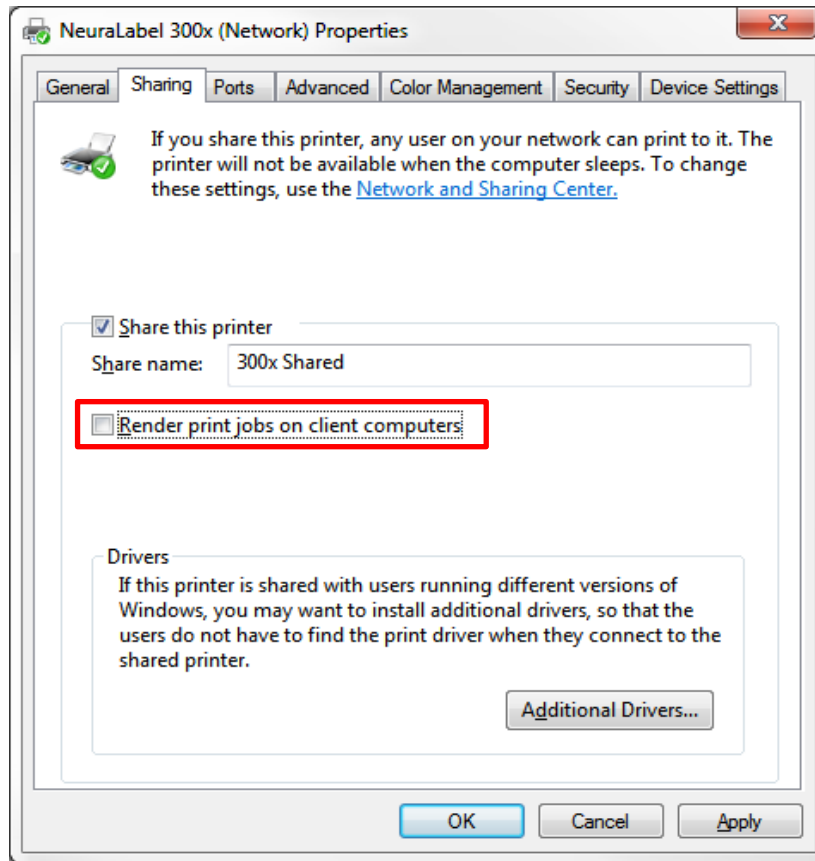
✓ STEP 5. SET UP A PRINTER SERVER WITH SHARED PRINTER (OPTIONAL)

For the most flexible results, set up a PRINTER SERVER with a SHARED PRINTER. A computer that meets the minimum system requirements set up as a *printer server* will provide a reliable way for any computer on your local area network, either wired or wireless, to print to the 300x. Connect the printer server computer to the printer with either a wired network or USB.



Follow these installation steps.

- Install the driver on the printer server.
- Set up printer parameters for your specific needs.
- Don't forget to select **Start printing after last page is spooled** discussed previously. Don't forget to exclude spooler process if necessary. (step 2 and step 3)
- Setup a Share name.
- On the Sharing panel of the printer properties UNcheck **Render print jobs on client computers**. This will cause the print job to be rendered on the server, only after all data has been sent from the client.



Because this configuration causes the print jobs to be rendered on the server, the link between any client PC and the printer server will not affect the print outcome. In fact even very slow, busy or wireless networks can be used since the jobs will be rendered on the server, only after all data has been sent from the client. Even client machines in remote locations (another city or country) will be able to print to the 300x using the printer server.

NOTE that driver installations on the client computers will also have **Render print jobs on client computer** unchecked.

